



Transparent Level Gauge

Type: TG32, TG120

Application & Function

The Transparent Level Gauge is a direct water level indicator with illumination device mainly used for steam boilers and/or Pressure vessel. The level is clearly visible at any time thanks to the brilliant and durable LED-backlight.

This product is in accordance to EU-directive 2014/68/EU. Applied policy acc. to DIN EN 13445 and ASME Boiler and Pressure Vessel Code. Considered regulations AD2000. Furthermore, this product meets the requirements of the standards DIN EN 12952-7 and DIN EN 12953-6 as a plant component for large water room boilers and water tube boilers.

Technical Basic Equipment

- Material made of double-certified heat-resistant pressure vessel steel
- Available as left (shown) or right model
- TG32 with shut-off Valve A120-CS PN 40 / DN20 or DN25
- TG120 with shut-off Valve A140-CS PN 160 / DN20 or DN25
- LEDSecure Slim illumination with IP66 protection class
- Drain Valve Type AV250

Options

- Transparent level gauge in stainless steel
- Specific process connections
- Optional shut off valves
- Optional drain valves
- Inclined version on request
- LEDSecure Slim illumination 24V DC

Technical Data

		TG32	TG120
Allowable pressure	PS [bar]	32	120
Allowable temperature	TS [°C]	239	326
Shut off valves	Type	A120-CS	A140-CS
Drain valves	Type	AV250	
Illumination	Type	LEDSecure Slim	



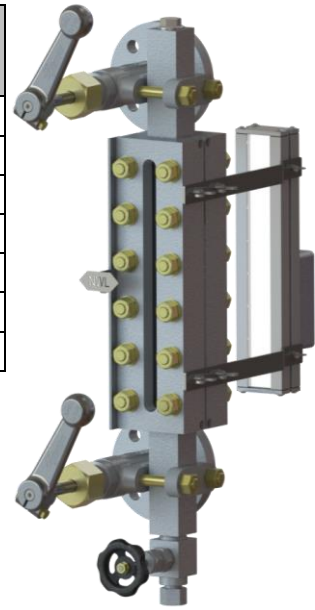
Dimensions and tables

Single sight length

	Size	Visible lengths (Dim. E-)		Process connection length (Dim. A)				Article number ¹⁾	
				Min.	Max.	TG32	TG120		
1	5	200	7 7/8 "	280	11 "	400	15 3/4 "	15-14596	15-14603
2	6	230	9 "	310	12 1/5 "	430	17 "	15-14597	15-14604
3	7	260	10 1/4 "	340	13 3/5 "	460	18 1/9 "	15-14598	15-14605
4	8	300	11 1/5 "	380	15 "	500	19 2/3 "	15-14599	15-14606
5	9	320	12 3/5 "	400	15 3/4 "	520	20 1/2 "	15-14600	15-14607
6	10	350	13 7/9 "	430	17 "	550	21 2/3 "	15-14601	15-14608
7	11	380	15 "	460	18 1/9 "	580	22 5/6 "	15-14602	15-14609

* Other dimension on request

1) Item number without Illumination Device, shut off- and drain valves



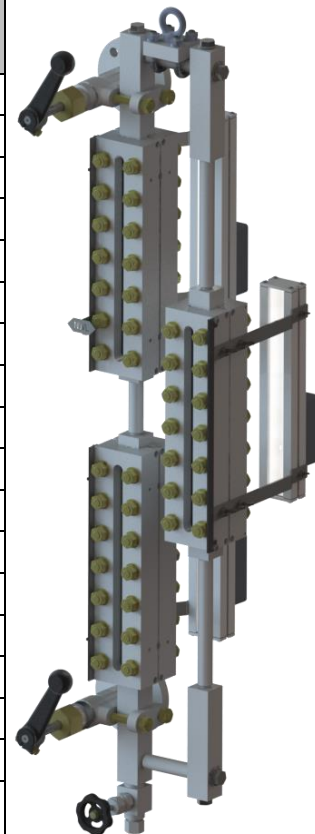
Multiple offset sight length

	Type	Sec-tions	Visible Lengths (Dimension E)		Process connection length (Dimension A)				Article number ¹⁾	
					Min.	Max.	TG32	TG120		
1	5/8	2	470	18 1/2 "	550	21 2/3 "	690	27 1/6 "	15-14158	15-14139
2	5/5	3	610	24 "	690	27 1/6 "	830	32 2/3 "	15-14159	15-14140
3	8/8	3	750	29 1/2 "	830	32 2/3 "	970	38 1/5 "	15-14160	15-14141
4	5/5	4	890	35 "	970	38 1/5 "	1110	43 5/7 "	15-14161	15-14142
5	8/8	4	1030	40 5/8 "	1110	43 5/7 "	1250	49 1/5 "	15-14162	15-14143
6	5/5	5	1170	46 "	1250	49 1/5 "	1390	54 5/7 "	15-14163	15-14144
7	8/8	5	1310	51 1/7 "	1390	54 5/7 "	1530	60 1/4 "	15-14164	15-14145
8	5/5	6	1450	57 "	1530	60 1/4 "	1670	65 3/4 "	15-14165	15-14146
9	8/8	6	1590	62 3/5 "	1670	65 3/4 "	1810	71 1/4 "	15-14166	15-14147
10	5/5	7	1730	68 1/9 "	1810	71 1/4 "	1950	76 2/9 "	15-14167	15-14148
11	8/8	7	1870	73 5/8 "	1950	76 2/9 "	2090	82 2/7 "	15-14168	15-14149
12	5/5	8	2010	79 1/7 "	2090	82 2/7 "	2230	87 4/5 "	15-14169	15-14150
13	8/8	8	2150	84 2/3 "	2230	87 4/5 "	2370	93 1/3 "	15-14170	15-14151
14	5/8	9	2290	90 1/6 "	2370	93 1/3 "	2510	98 5/6 "	15-14171	15-14152
15	8/8	9	2430	95 2/3 "	2510	98 5/6 "	2650	104 1/3 "	15-14172	15-14153
16	5/8	10	2570	101 1/6 "	2650	101 1/3 "	2790	109 5/6 "	15-14173	15-14154
17	8/8	10	2710	106 2/3 "	2790	106 2/3 "	2930	115 1/3 "	15-14174	15-14155

Single Visible Length of offset Transparent level gauges are consisting of Size 5 (E=200mm) and Size 8 (E=300mm)

* Another dimension on request

1) Item number without Illumination Device, shut off- and drain valves



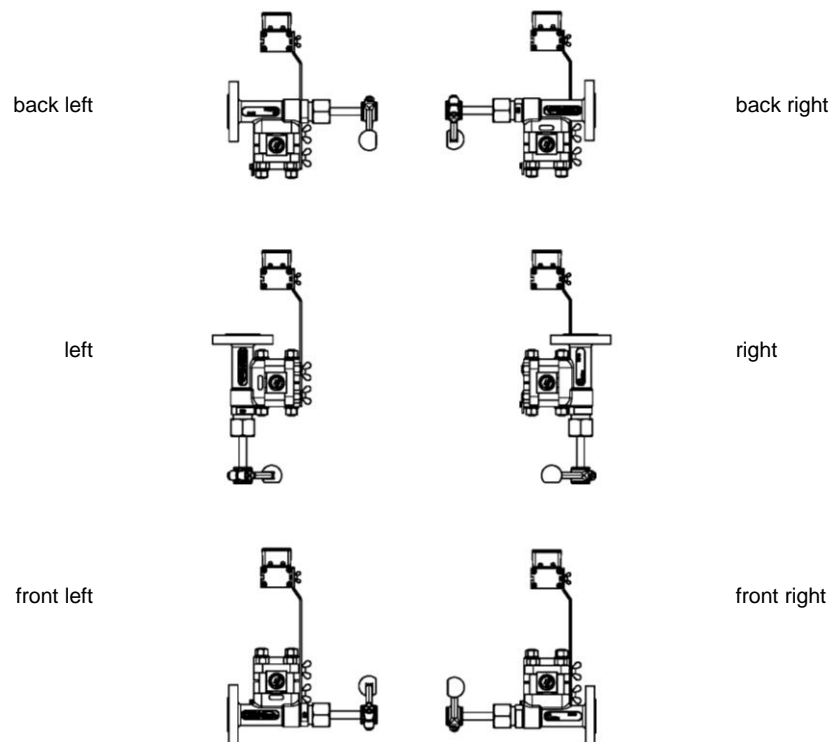
Note!

In the case of the offset TG series weighing 30 kilograms or more, the customer must provide for a sufficient support (e.g. by means of spring hangers or similar).

Dimensions and tables

Single Sight Length	Multiple offset Sight Length
Shown as left-handed model	Shown as left-handed model

Possible connection variants



Equipment

Illustrated Reflex Level Gauges are equipped with Shut-Off Valve type CS, Drain Valve AV250 and LED illumination device.



Shut Off Valve Type CS
Article No.: see Data Sheet



Drain Valve AV250
Article No.: see Data Sheet



LEDSecure Slim
Article No.: see Data Sheet

Accessory

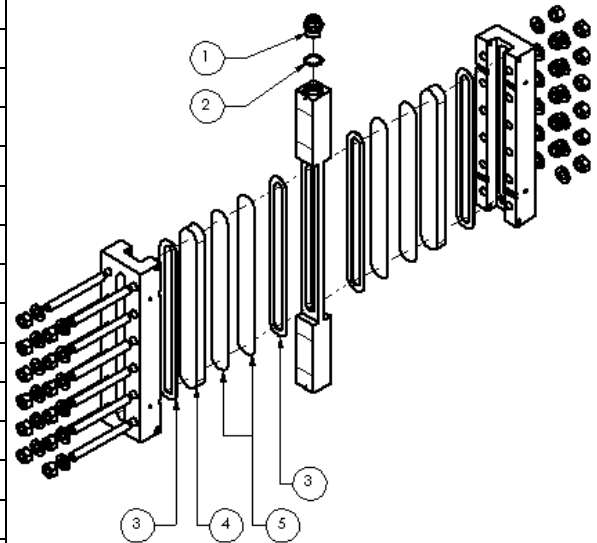
Description	Marking	Article-No.
Water level mark	NW-LWL-NB	25-13645
Water level mark	HHWL	25-13717
Water level mark	HWCO	25-13697
Water level mark	HWL	25-13716
Water level mark	NWL	25-13698
Water level mark	LWL	25-13718
Water level mark	LWCO	25-13699
Water level mark	LLWL	25-13719
Water Level Mark will be attached with two self-tapping screws. Article number: 40-11121		

Water level mark – NWL



Spare parts

Pos-No.	Description	Size	Article-No.	Quantity
1	Vent Plug G ½"	-	40-00329	1*
2	Seal Ring 21 x 26 x 1,5 mm	-	40-00099	1*
Spare Part Set TG32				
3-4	Spare Part Set	5	15-13557	nx1
3-4	Spare Part Set	6	15-13558	-
3-4	Spare Part Set	7	15-13559	-
3-4	Spare Part Set	8	15-13560	nx1
3-4	Spare Part Set	9	15-13561	-
3-4	Spare Part Set	10	15-13566	-
3-4	Spare Part Set	11	15-13567	-
Spare Part Set TG120				
3-5	Spare Part Set	5	15-13067	nx1
3-5	Spare Part Set	6	15-13068	-
3-5	Spare Part Set	7	15-13069	-
3-5	Spare Part Set	8	15-13070	nx1
3-5	Spare Part Set	9	15-13071	-
3-5	Spare Part Set	10	15-13072	-
3-5	Spare Part Set	11	15-15458	-
n = Number of Sight Length.				
* Multiple Offset Transparent Level Gauge Pos.-No.: 1&2 are required 5-times.				
Spare Part Set 3-4 consisting of 4 x sealing and 2x Transparent glass.				
Spare Part Set 3-5 consisting of 4 x sealing, 2x Transparent glass and 4x mica shield.				



Digital Documentation

